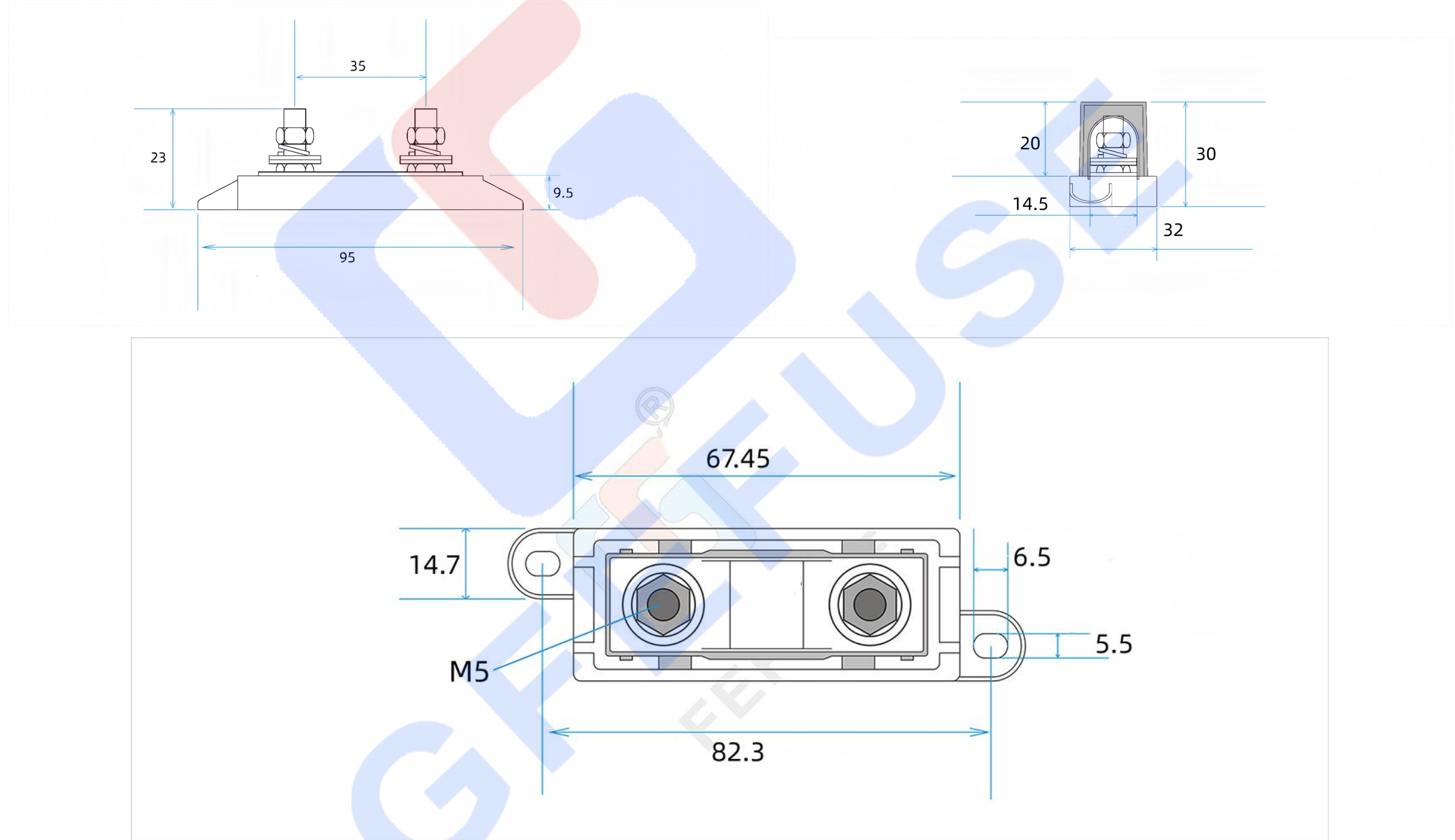


GFEV (C125) MIDI Bolt-on Fuse holder

1. Product dimensions



2. Product introduction

- 1. Product model; GFEV (C125) MIDI Bolt-on Fuse holder
- 2. Base: PPS
- 3. Top cover: PC V0
- 4. Screws and nuts. 304 material, M5
- 5. The product is heat-resistant, with a normal operating temperature range of -40°C to +180°C degrees Celsius
- 6. Electrical Performance
 - 1. Voltage: 12V-250V (DC)
 - 2. Current: 50A-350A (DC)
- 7. Applicability: GFEFUSE® Brand (ANL-C125 Series Bolt Automobile and Energy Storage Fuse)
- 8. Scope of use: automobiles, batteries, new energy vehicles, power supplies, chargers, electric motorcycles, energy storage, base stations, military equipment, ships, yachts, etc., for modification and system protection settings

Tips: Dimension changes are not notified