

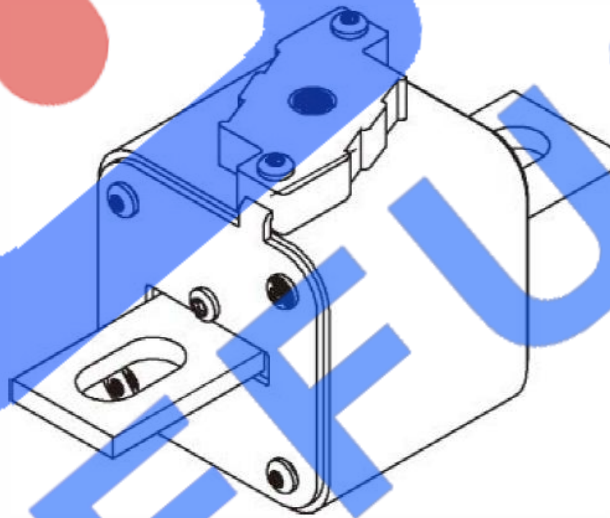


熔断器 FUSE



GFEFUSE

circuit protection is safe and reliable



东莞市贡福电子有限公司

Dongguan Gongfu Electronics Co., Ltd.

TEL:0769-82391938 81100206

FAX:0769-82391939

<http://www.gfefuse.cn>

<http://www.carfuseholders.com>

E-mail:sales@gfefuse.cn

公司简介 Company Introduction

Dongguan Gongfu Electronics Co., Ltd. (GFEFUSE) is an innovative enterprise dedicated to the development, design, manufacturing, and sales of circuit protection devices such as fuses. The company has many years of technical research and development personnel and production management personnel engaged in fuse products. Adhering to the product manufacturing concept of "innovative design and excellent quality", the company customizes the required fuse products according to customer needs.

The company produces a wide range of fuse products with complete specifications, mainly used in rectifier inverter power supply, high and low voltage power grid, wind and solar power generation, communication power supply, new energy electric vehicles, rail transit, chemical electrolysis, smelting and other industries. The product has passed the testing of national authoritative testing institutions, and its performance complies with the GB13539 national standard series and the IEC60269 international electrical standard series.

The company takes "innovation and progress, excellent quality, and timely response" as its purpose to give back to customers and create value, and is dedicated to providing stable quality fuse products for new and old customers.



GF Overview of fuse products::

GF series semiconductor equipment protection fuse (fast fuse) rated voltage: 250V–2000V, rated current: 10A–14000A, breaking capacity: 100KA/200KA. The product performance meets the national standard GB13539.1 for low-voltage fuses; GB/T13539.4 and International Electrotechnical Commission standard IEC60269-1; The requirements of IEC60269-4.

The GF series fuses use variable cross-section fuses, 95% AL₂O₃ ceramic tubes (referred to as 95 ceramics), and the arc extinguishing medium uses chemically treated high-purity quartz sand. The advanced curing process significantly improves the breaking capacity and protection characteristics, with fast melting speed, good current limiting characteristics, low I₂t value, low power consumption, and safety and reliability. Suitable for: protection of rectification and inverter, electrical equipment in industries such as chemical, smelting, electrolysis, electroplating, traction, rail transit, medium frequency, wind and solar power generation, energy storage systems, etc.

Usage conditions:

1. The altitude shall not exceed 2000m.
2. The ambient temperature is -5 °C to +40 °C.
3. The relative humidity of the air: 40 °C shall not exceed 50%, and 20 °C shall not exceed 90%.
4. There is no explosive medium in the surrounding air, no corrosive metal or gas that damages insulation, and no conductive dust.
5. The product can be installed vertically, horizontally, or obliquely, and there is no significant vibration or impact in the workplace.

Ordering Instructions

1. When placing an order, clearly state the product model and specifications, such as rated voltage, rated current, series number, structural code, and order quantity.
 2. When the installation location of the fuse is above 2000m altitude or there are special requirements for the installation method and size of the fuse, they can be proposed during the ordering process and agreed upon separately.
- Our company will maximize the satisfaction of user needs.

Square tube bolt connected quick fuse

100GF series

Rated voltage: AC 380V-1000V

Rated current: 10A-250A

Protection category: aR/gR

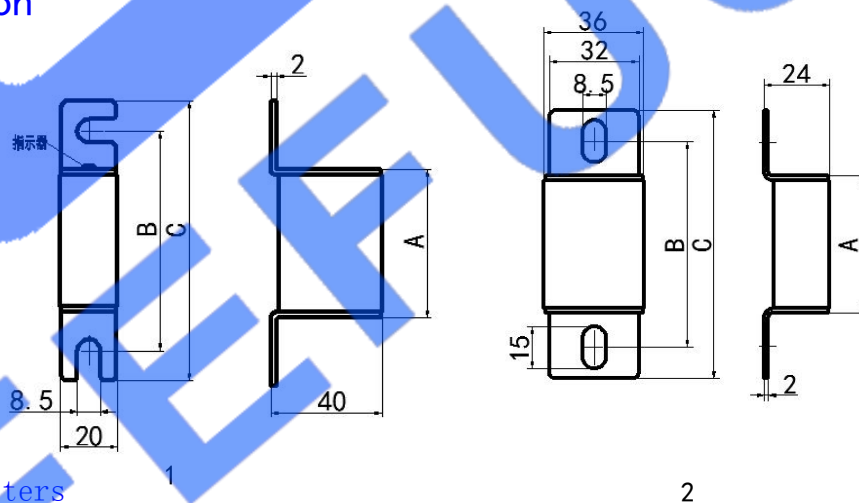
Breaking capacity:



Specification parameters

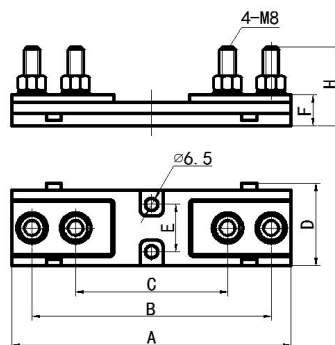
model	rated voltage (V)	Rated current (A)	size (mm)			appearance Drawing number
			A	B	C	
100GF-LZ	380	10、16、20、25、32、40、50、63、	54	78	100	1
	690	80、100、125、160、200、250				
	800	10、16、20、25、32、40、50、63、	71	95	117	
	1000	80、100、125、160				
100GF-L	380	10、16、20、25、32、40、50、63、	54	76	96	2
	690	80、100、125、160、200、250				
	800	10、16、20、25、32、40、50、63、	71	93	113	
	1000	80、100、125、160				

Mounting Dimension



GF-00 fuse base parameters

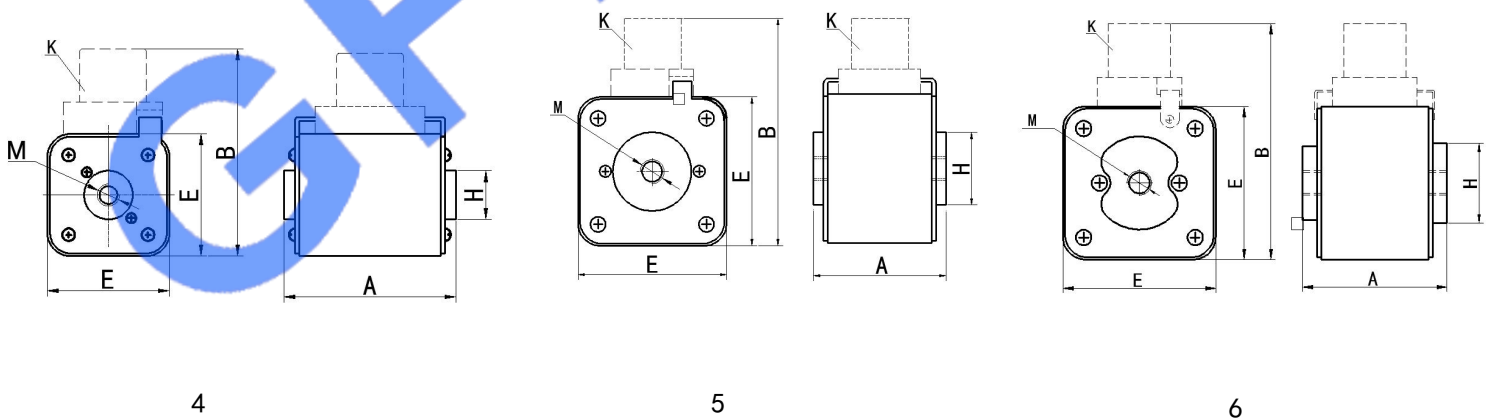
model	Maximum voltage (V)	Maximum load current (A)	size (mm)							appearance Drawing number
			A	B	C	D	E	F	H	
GF-00	1000	200A	147	126	80	43	25	16	38	3



Specification parameters of 104, 105, 106, 107aR GF series square tube P-type bolt connected quick fuse

model	rated voltage (V)	Rated current(A)	size (mm)					appearance Drawing number
			A	B	E	H	M	
104GF	380	10、25、32、40、50、63、	50	80	43	Φ17	M8	4
	500	80、100、125、150、200、						
	690	250、300、350、400、500						
	800	10、25、32、40、50、63、						
	1000	80、100、125、150、200、						
	1250	250、300、350、400	80					
105GF	380	10、20、30、50、60、80、	51	88	51	Φ20	M8	5
	500	100、200、315、350、400						
	690							
	800	10、20、30、50、60、80、						
	1000	100、200、350						
	1500	10、20、30、50、60、80、						
	2000	100、200	127					
106GF	380	300、350、400、500、630、	55	97	60	Φ25	M10	5
	690	700、800						
	800	300、350、400、500、630、						
	1000	700、800						
107aRGF	380	400、500、560、630、700、	56	109	72	Φ46	M10	6
	500	800、900、1000、1200						
	800	400、500、560、630、700、						
	1000	800、900、1000、1200						

Mounting Dimension

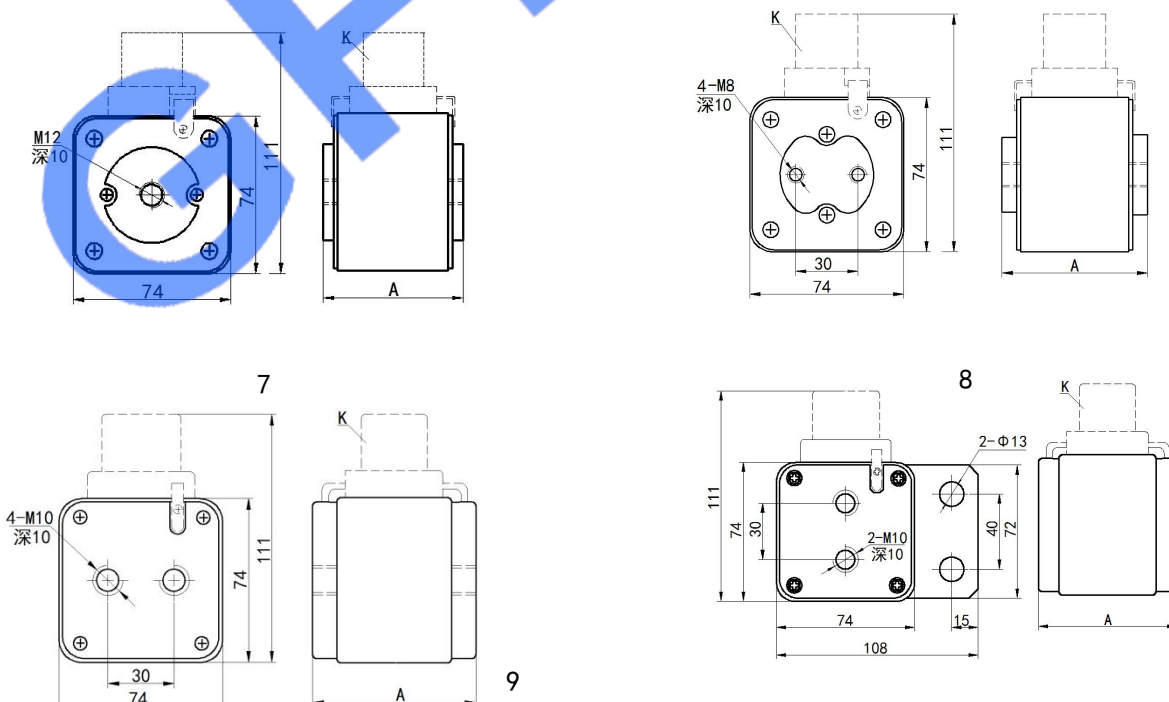


Specification parameters of 107GF series square tube P-type bolt connected quick fuse

model	rated voltage (V)	Rated current (A)	installation height (mm) A	appearance Drawing number
107-1GF	380	630、700、800、900、1000、1250、1500	51	7
	500			
	800			
	1000			
	1250			
	1500			
	2000			
107-2GF	380	630、700、800、900、1000、1250	52	8
	500			
	800			
	1000			
	1250			
	1500			
	2000			
107-3GF	380	1100、1200、1400、1500、1600、1800、2000	58	9
	500			
	800			
	1000			
	1250			
	1500			
	2000			
107-4GF	380	1200、1400、1500、1600、1800、2000	57	10
	500			
	800			
	1000			
	1250			
	1500			
	2000			

Note: Considering the temperature rise of the fuse, when selecting the fuse with the blue current specification marked in the table, a water-cooled busbar should be connected.

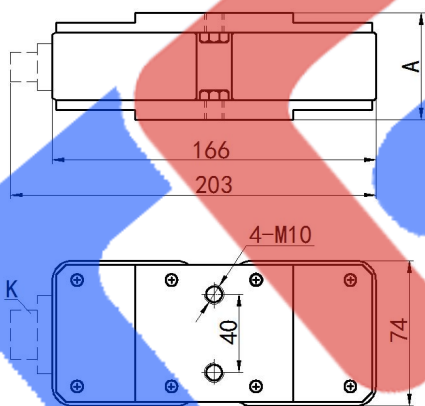
Mounting Dimension



Specification parameters of 207GF series square tube P-type bolt connected quick fuse

model	rated voltage(V)	Rated current (A)	installation height (mm) A	Outline drawing number
207GF	380	2000、2200、2500、2800、3200、3600、	54	11
	500	4000		
	800	2000、2200、2500、2800、3200、3600	70	
	1000	2000、2200、2500、2800、3200、3600	78	
	1250	1400、1800、2000、2500、2800、3200	83	
	1500	1250、1400、1800、2000、2500	108	
	2000	1000、1250、1400、1600、1800、2000	130	

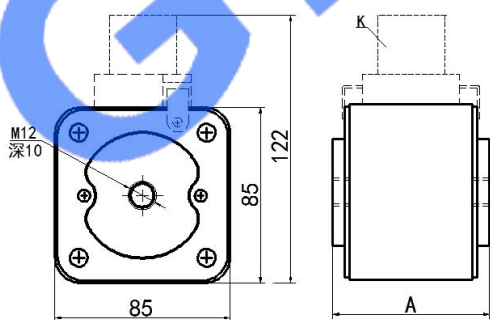
Note: Considering the temperature rise of the fuse, when selecting the fuse with the blue current specification marked in the table, a water-cooled busbar should be connected.



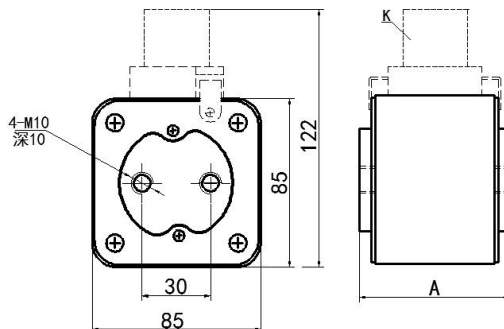
11

Specification parameters of 108GF series square tube P-type bolt connected quick fuse

model	rated voltage (V)	Rated current (A)	installation height (mm) A	Outline drawing number
108-1GF	500	1250、1500、1600、1800、2000、2200	60	12
	800	800、900、1000、1250、1500、1600、1800、2000	80	
	1000		130	
	2000	600、750、800、900、1000、1250	130	
108-2GF	500	1250、1500、1600、1800、2000、2200	60	13
	800	800、900、1000、1250、1500、1600、1800、2000	80	
	1000		130	
	2000	600、750、800、900、1000、1250	130	



12



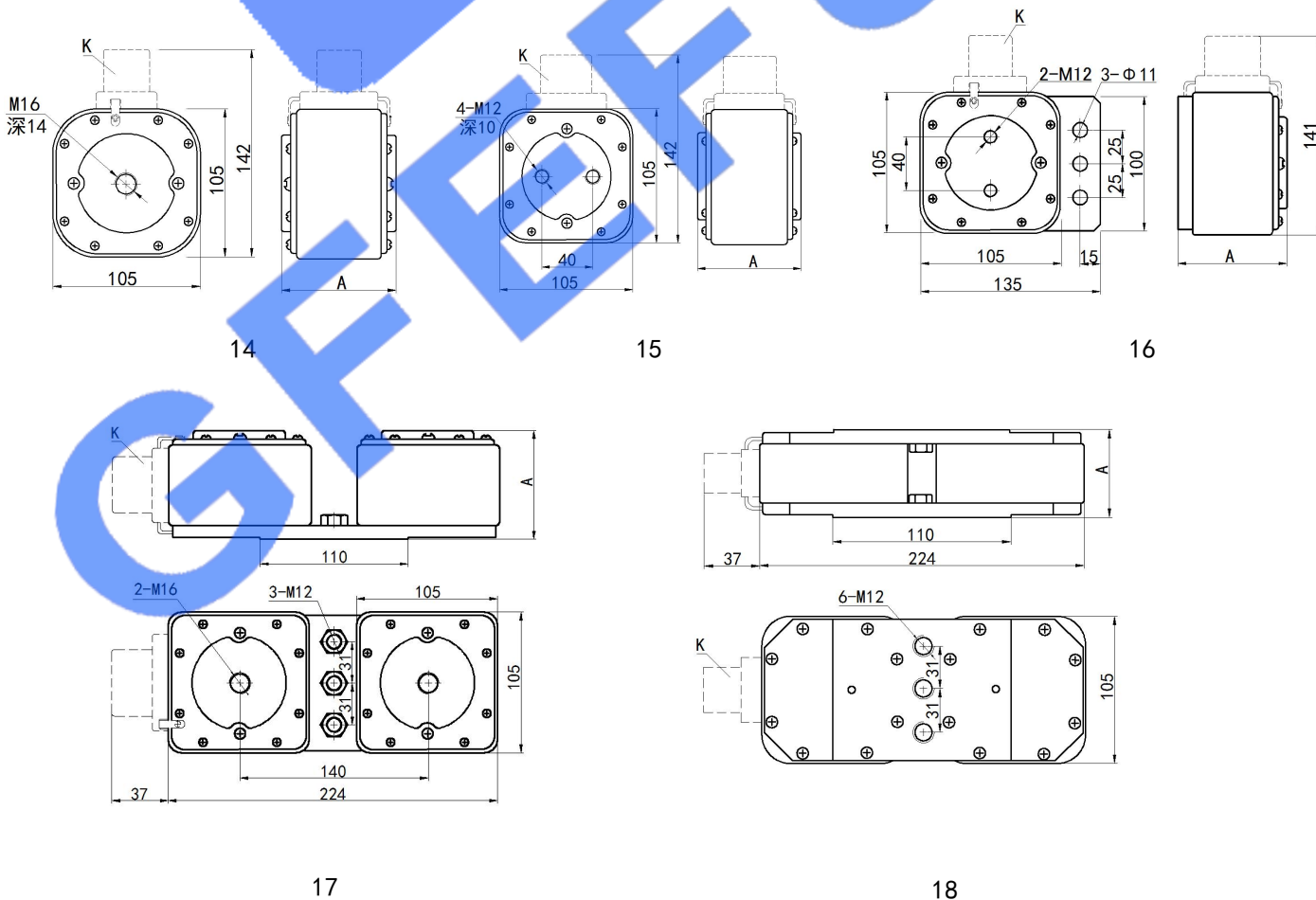
13

Specification parameters of 110GF series square tube P-type bolt connected quick fuse

model	rated voltage (V)	Rated current (A)	installation height (mm) A	Outline drawing number
110-1GF	500	1400、1600、1800、2000、2500、2800	60	14
	800	1400、1600、1800、2000、2500、2800	80	
	1000	1400、1600、1800、2000、2500	90	
	1500	1400、1600、1800、2000	110	
110-2GF	500	1400、1600、1800、2000、2500、2800	60	15
	800	1400、1600、1800、2000、2500、2800	80	
	1000	1400、1600、1800、2000、2500	90	
	1500	1400、1600、1800、2000	110	
110-3GF	500	1400、1600、1800、2000、2500、2800	60	16
	800	1400、1600、1800、2000、2500、2800	80	
	1000	1400、1600、1800、2000、2500	90	
	1500	1400、1600、1800、2000	110	
210-1GF	500	3200、3600、4000、4200、4600、5000、5600	60	17
	800	3200、3600、4000、4600、5000、5200	80	
	1000	3000、3600、4000、4200、4600、5000	90	
	1500	2500、3000、3600、4000	110	
210-2GF	500	3200、3600、4000、4200、4600、5000、5600	60	18
	800	3200、3600、4000、4600、5000、5200	80	
	1000	3000、3600、4000、4200、4600、5000	90	
	1500	2500、3000、3600、4000	110	

Note: Considering the temperature rise of the fuse, when selecting P16 current above 1600A and P26 current above 3600A, it should be connected to a water-cooled busbar for use.

Mounting Dimension

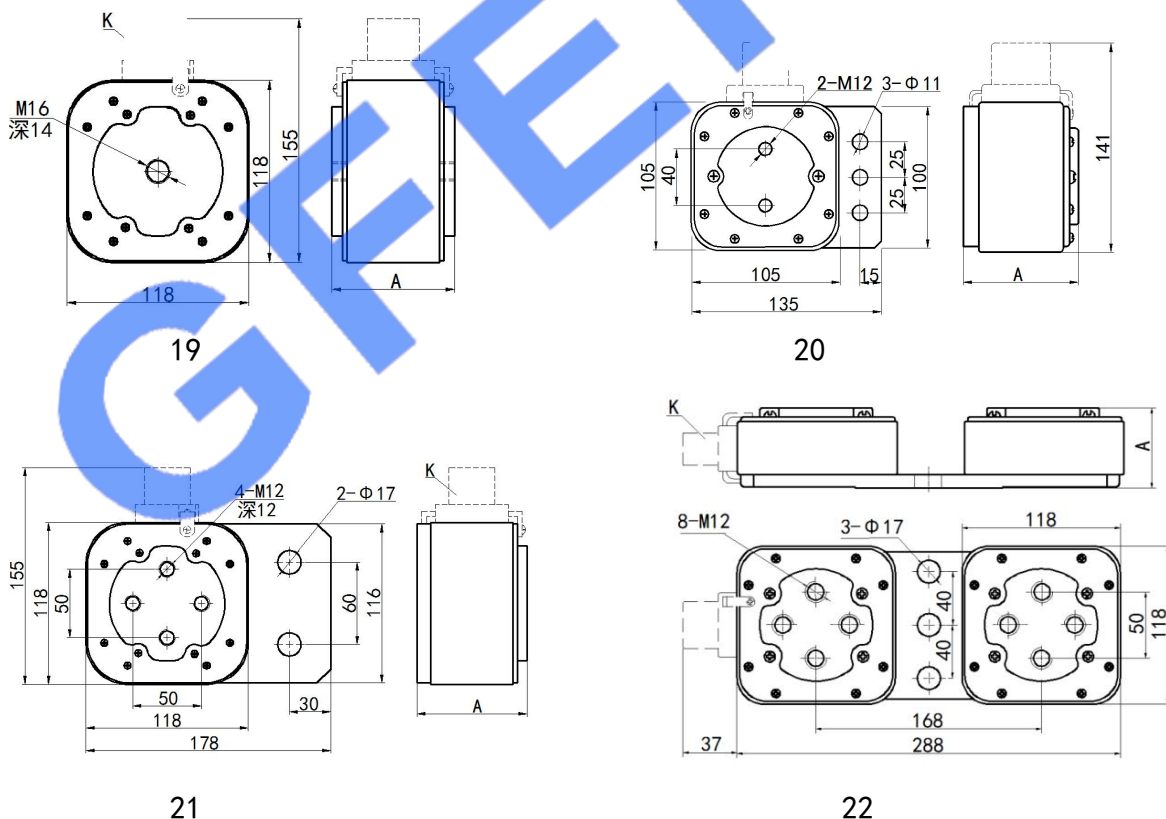


Specification parameters of 111GF series square tube P-type bolt connected quick fuse

model	rated voltage (V)	Rated current (A)	installation height (mm) A	Outline drawing number
111-1GF	380	2200、2500、2800、3000、3200、3600	60	19
	500			
	800	2200、2500、2800、3000、3200、3600	80	
	1000			
	1250	2000、2200、2500、2800、3000、3200	100	
1500	1600、1800、2000、2500	110		
111-2GF	380	2200、2500、2800、3000、3200、3600、3800	60	20
	500			
	800	2200、2500、2800、3000、3200、3600	80	
	1000	2000、2200、2500、2800、3000、3200	100	
	1250			
1500	1600、1800、2000、2500、2800、3000	110		
111-3GF	380	2200、2500、2800、3000、3200、3600、3800	60	21
	500			
	800	2200、2500、2800、3000、3200、3600	80	
	1000	2000、2200、2500、2800、3000、3200	100	
	1250			
1500	1600、1800、2000、2500、2800、3000	110		
211-1GF	380	4000、4600、5000、5600、6000、6400、7200	60	22
	500			
	800	4000、4600、5000、5600、6000、6400	80	
	1000			
	1250	100		

Note: Considering the temperature rise of the fuse, when selecting a current of 2500A or above for P17 and 5000A or above for P27, it should be connected to a water-cooled busbar for use.

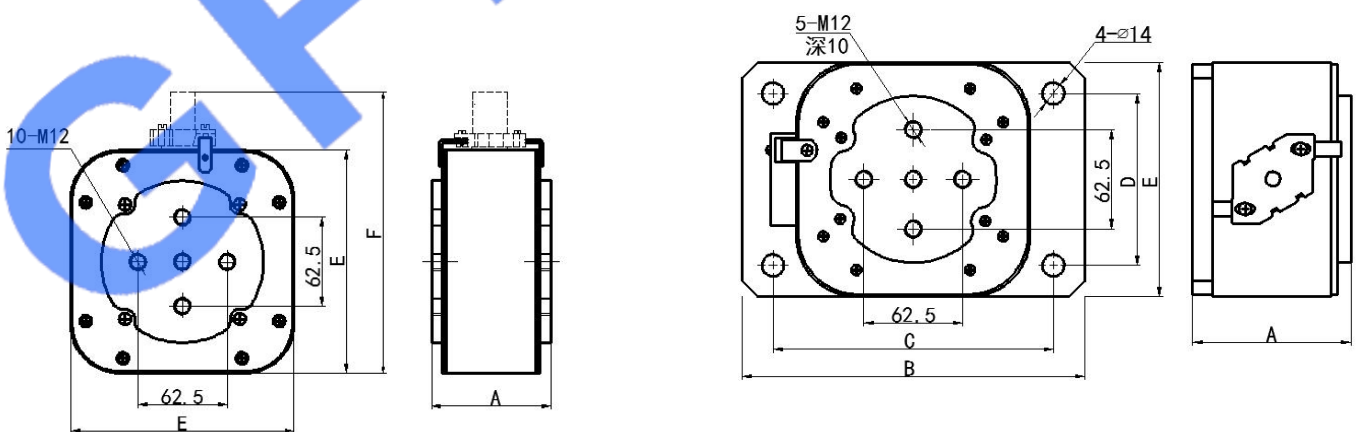
Mounting Dimension



Specification parameters of 113 and 115GF series square tube P-type bolt connected quick fuse

model	rated voltage (V)	Rated current (A)	size (mm)						Outline drawing number
			A	B	C	D	E	F	
113-1GF	380	3400, 3600, 3800, 4000, 4200, 4500, 4800	60				135	172	23
	500								
	800	2800, 3000, 3500, 3600, 3800, 4000, 4200	80				135	172	
	1000	2400, 2800, 3200, 3600, 4000							
	1250	2200, 2800, 3000, 3200, 3400, 3600, 3800	100				135	172	
113-2GF	380	3400, 3600, 3800, 4000, 4200, 4500, 4800, 5000	60	195	165	100	135		24
	500								
	800	2800, 3000, 3500, 3600, 3800, 4000, 4200, 4400	80	195	165	100	135		
	1000	2400, 2800, 3200, 3600, 4000							
	1250	2200, 2800, 3000, 3200, 3400, 3600, 3800, 4000	100	195	165	100	135		
115-1GF	380	3600, 3800, 4000, 4200, 4500, 5000, 5200, 5400, 5600, 6000	60				150	188	23
	500								
	800	3000, 3500, 3600, 3800, 4000, 4200, 4500, 5000	80				150	188	
	1000	2800, 3200, 3600, 4000, 4200, 4500							
	1250	2800, 3000, 3200, 3400, 3600, 4000, 4200	100				150	188	
1500	2500, 3000, 3200, 3600, 4000	110				150	188		
115-2GF	380	3600, 3800, 4000, 4200, 4500, 5000, 5200, 5400, 5600, 6000	60	220	180	110	150		24
	500								
	800	3000, 3500, 3600, 3800, 4000, 4200, 4500, 5000	80	220	180	110	150		
	1000	2800, 3200, 3600, 4000, 4200, 4500							
	1250	2800, 3000, 3200, 3400, 3600, 4000, 4200	100	220	180	110	150		
1500	2500, 3000, 3200, 3600, 4000	110	220	180	110	150			

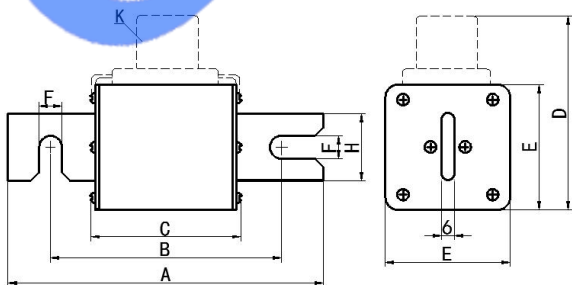
Mounting Dimension



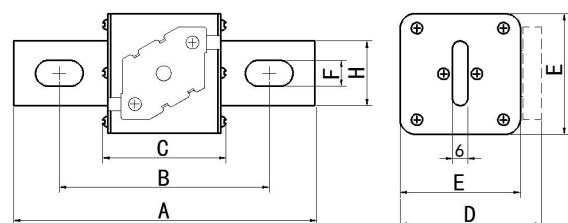
Specification parameters of Z-type bolt connected quick fuse with square tube

model	rated voltage (V)	Rated current (A)	size (mm)							Outline drawing number
			A	B	C	D	E	F	H	
105GF-Z	380	63, 80, 100, 125, 150, 200, 250, 300, 350	116	86	48	65	51	11	26	25
	500									
	800									
	1000									
106GF-Z1	380	400, 450, 500, 560, 630, 800	120	90	52	98	60	11	32	25
	690									
	800									
	1000									
106GF-Z2	380	400, 450, 500, 560, 630, 800	120	90	52	98	60	11×19	32	26
	690									
	800									
	1000									
107GF-Z1	380	500, 630, 800, 900, 1000, 1200, 1400, 1500	116	86	48	11	74	11	39	25
	500									
	800	500, 630, 800, 900, 1000, 1200, 1400	132	102	64					
	1000									
	1250	400, 500, 630, 800, 900, 1000, 1200	145	115	77					
	1500	400, 500, 630, 800, 900, 1000	170	140	102					
107GF-Z2	380	500, 630, 800, 900, 1000, 1200, 1400, 1500	140	92	48	88	74	23×11	39	26
	500									
	800	500, 630, 800, 900, 1000, 1200, 1400	156	108	64					
	1000	500, 630, 800, 900, 1000, 1200, 1400	164	116	72					
	1250	400, 500, 630, 800, 900, 1000, 1200	169	121	77					
	1500	400, 500, 630, 800, 900, 1000	194	146	102					

Mounting Dimension



25

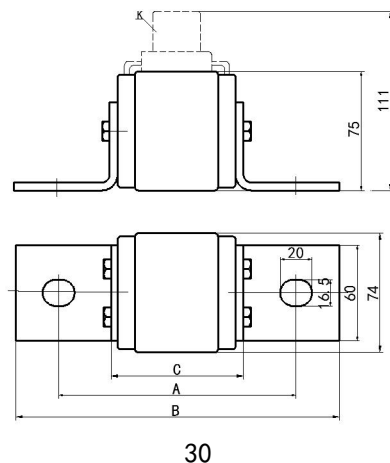
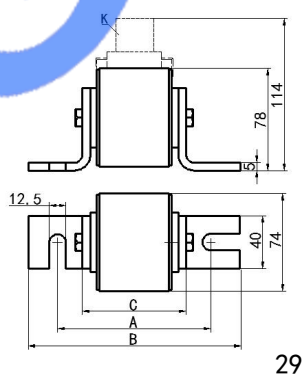
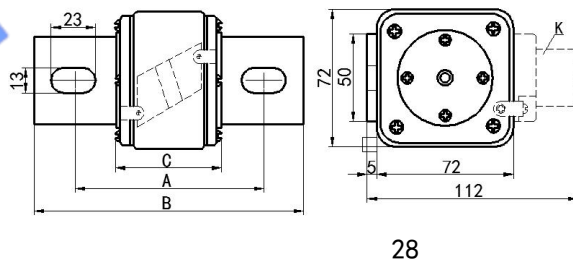
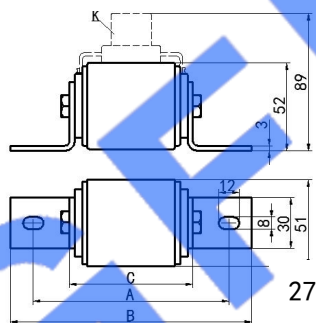


26

Specification parameters of square tube L-shaped bolt connected quick fuse

model	rated voltage (V)	Rated current (A)	size (mm)			Outline drawing number
			A	B	C	
105GF-L	380	10、20、30、50、63、80、100、150、	124	157	57	27
	500	200、200、315、350				
	800	10、20、30、50、63、80、100、150、	148	181	81	
	1000	200、200、315	153	186	86	
	1500	10、20、30、50、63、80、100、150、	200	233	133	
	2000	200、200	200	233	133	
107aGF-L	380	450、500、560、630、700、800、900	102	144	58	28
	500					
	800	450、500、560、630、700、800	122	164	78	
	1000		139	181	95	
107-1GF-L	380	700、800、900、1000、1250、1400	100	145	61	29
	500					
	800	700、800、900、1000、1250、1400	116	161	77	
	1000		124	169	85	
	1250	700、800、900、1000、1250	129	174	90	
	1500	700、800、900、1000	155	199	115	
	2000	700、800、900	175	221	137	
107-3GF-L	380	700、800、900、1000、1250、1400	188	138	68	30
	500					
	800	700、800、900、1000、1250、1400	204	154	84	
	1000		212	162	92	
	1250	700、800、900、1000、1250	217	167	97	
	1500	700、800、900、1000	242	192	122	
	2000	700、800、900	264	214	144	

Mounting Dimension



GFZ series DC fast fuse

Performance meets IEC60269; GB13539.1; GB/T13539.4

Rated voltage: 750V~2400V DC

Rated current: 50A-1000A

Breaking capacity: 100KA

Protection category: aR/gR

Installation method: bolted connection

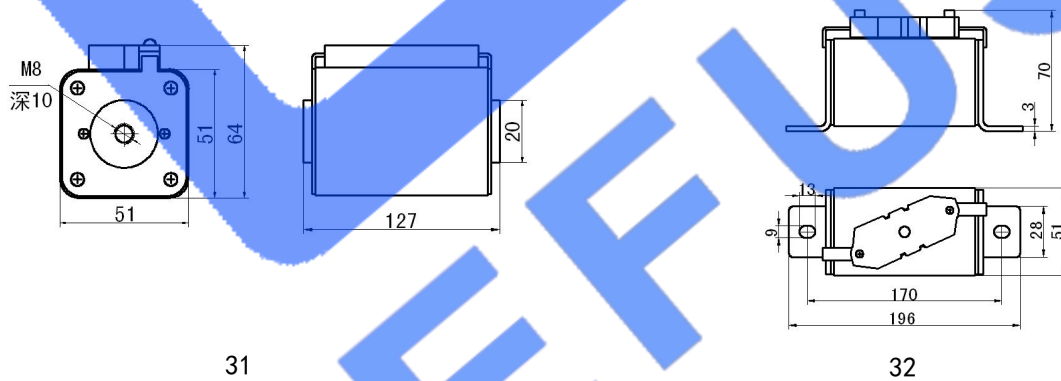
Features: low power consumption, high breaking capacity, good current limiting characteristics, low arc voltage, with visual indication or switch connection electrical signal.

Suitable for: protection of rail transit, subway, light rail, electric locomotive traction, inverter energy storage system, and short circuit protection of semiconductor complete equipment.

105GFZ DC fuse

model	rated voltage (V)	Rated current (A)	Outline drawing number
105GFZ-P	750	50、63、80、100、125、、150、200、250	31
105GFZ-P	1000	50、63、80、100、125、、150、200	
105GFZ-L	750	50、63、80、100、125、、150、200	32
105GFZ-L	1000	50、63、80、100、125、、150	

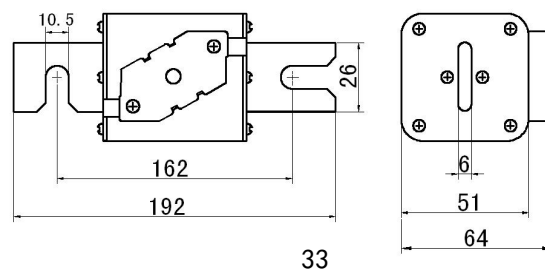
Mounting Dimension



107GFZ-Z DC fuse

model	rated voltage (V)	Rated current (A)	Outline drawing number
107GFZ-Z	750	50、63、80、100、125、、150、200	33
107GFZ-Z	1000	50、63、80、100、125、、150	

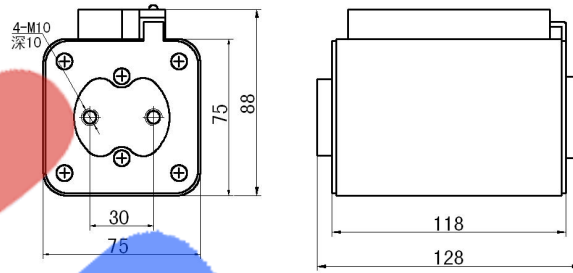
Mounting Dimension



107GFZ-P DC fuse

model	rated voltage (V)	Rated current (A)	Outline drawing number
107GFZ-P	750	200、300、350、400、450、500、600、700、800、900	34
107GFZ-P	1000	200、300、350、400、450、500、600、700、800	
107GFZ-P	1500	200、300、350、400、450、500、600	

Mounting Dimension

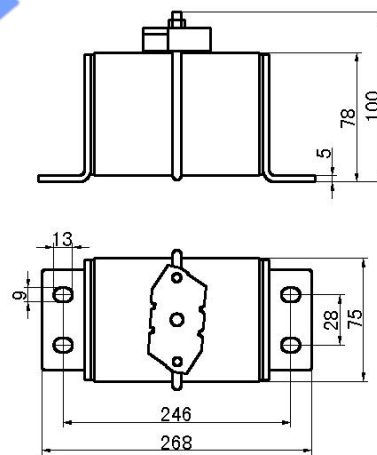


34

107GFZ-L DC fuse

model	rated voltage (V)	Rated current (A)	Outline drawing number
107GFZ-L	1500	150、200、250、300、350、400、450、500	35
107GFZ-L	1800	150、200、250、300、350、400	
107GFZ-L	2400		

Mounting Dimension



35

NGT and NGTC series fast fuses

Performance meets IEC60269; GB13539.1; GB/T13539.4

Rated voltage: 380V-1000V

Rated current: 10A-630A

Breaking capacity; 100KA

Protection category: aR

Installation method: NGT bolt connection; NGTC plug-in type

Features: High breaking capacity, good current limiting characteristics, stable characteristics, low I₂t value and power consumption, can be externally connected to fuse indicator signalers or microswitches.

Suitable for: protection of variable frequency speed regulation, reactive power compensation, excitation power supply, semiconductor devices, and thyristor rectifier devices.

Model Description:

NGT □-□/□

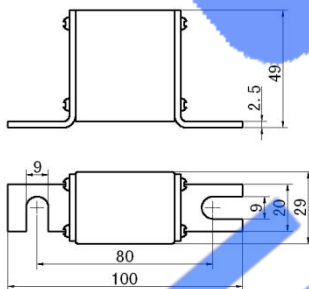
Rated current (A)
rated voltage (V)
Size of fuse
Quick fuse

NGT C □-□/□

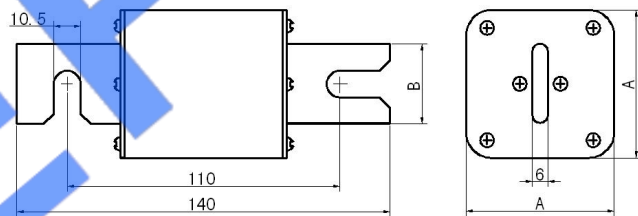
Rated current (A)
rated voltage (V)
Size of fuse
Knife shaped plug-in type
Quick fuse

NGT series fast fuse specification parameters

model	rated voltage (V)	Rated current (A)	size (mm)		Breaking capacity(KA)	Outline drawing number
			A	B		
NGT00	380, 690, 800	10, 25, 32, 40, 50, 63, 80, 100, 125, 150			100	36
NGT1	380, 690, 800, 1000	25, 32, 40, 50, 63, 80, 100, 125, 150	48	26		37
NGT2	380, 690, 800, 1000	100, 125, 160, 200, 250, 300, 355, 400	58	32		
NGT3	380, 690, 800, 1000	350, 400, 450, 500, 560, 630	67	38		



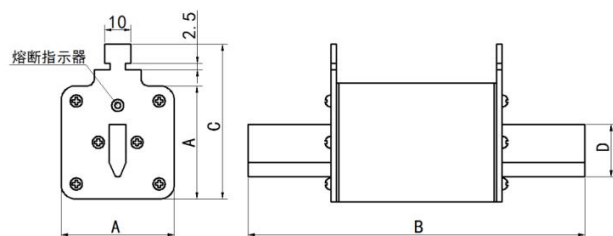
36



37

NGTC series fast fuse specification parameters

model	rated voltage (V)	Rated current (A)	size (mm)				Drawing No
			A	B	C	D	
NGTC00	380, 690, 800	25, 32, 40, 50, 63, 80, 100, 125, 150	29	78	57	15	38
NGTC1	380, 690, 800, 1000	100, 125, 160, 200, 250	48	135	62	20	
NGTC2	380, 690, 800, 1000	200, 250, 280, 315, 355, 400	58	150	72	25	
NGTC3	380, 690, 800, 1000	355, 400, 450, 500, 560, 630	67	150	82	32	



38

Hook and fork type fuse base

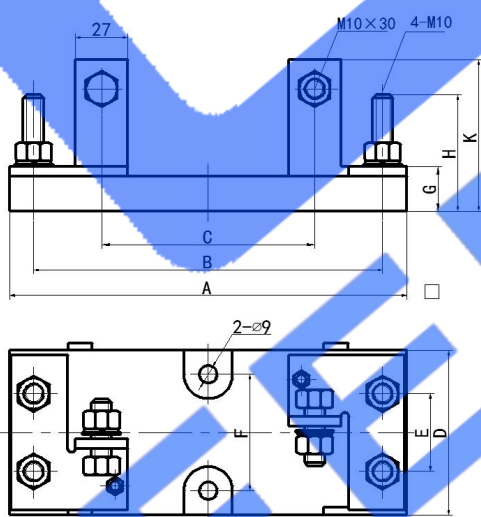
Performance meets IEC60269

Features: Compact structure, easy installation, and reliable insulation.

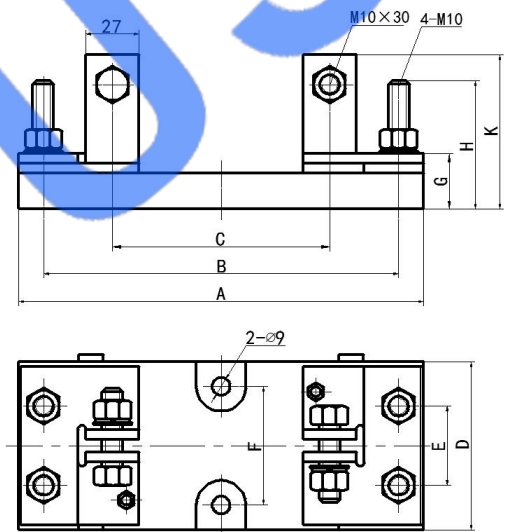
Used in conjunction with NGT series fuses and hook and fork type (Z-type) quick fuses.

Specification parameters

model	rated voltage (V)	Maximum load current (A)	size (mm)									Drawing
			A	B	C	D	E	F	G	H	K	
GFD-80	1000	800	205	150	80	85	40	60	23	63	78	39
GFD-80S	1000	1800	205	150	80	85	40	60	28	63	78	40
GFD-110	1400	800	205	180	110	85	40	60	23	63	78	39
GFD-110S	1400	1800	205	180	110	85	40	60	28	63	78	40



39



40

RS88 series bolt connected round tube quick fuse

Performance meets IEC60269

Rated voltage: AC 250V, 690V

Rated current: 10A-400A

Breaking capacity; 100KA

Protection category: aR

Installation method: bolted connection

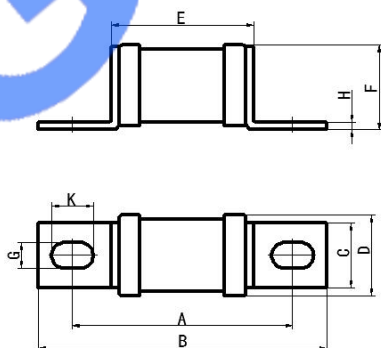
Features: High breaking capacity, good current limiting characteristics, stable characteristics, low I²t value and power consumption,

Suitable for short-circuit protection of UPS power supplies, inverters, frequency converters, rectifiers, motors, capacitors, batteries, motor vehicles, and line components.

Specification parameters of RS88 series round tube quick fuse

model	rated voltage (V)	Rated current (A)	size (mm)										Drawing
			A	B	C	D	E	F	G	K	H		
RS88-1	250	10、20、25、32、40、50、63、80、100、125、160、200	41	56	12	Φ18	26	19	6.5	10	2	41	
RS88-2	250	20、25、32、40、50、63、80、100、125、160、200、250	57	78	20	Φ23	30	26	9	14	3		
RS88-3	250	10、20、25、32、40、50、63、80、100、125、160、200、250、315、350、400	60	87	25	Φ31	30	34	10.5	16	3		
RS88-4	250	50、63、80、100、125、160、180、200、250、315、350、400、450、500	59	84	26	Φ38	31	41	10.5	16	3		
RS88-1	690	10、20、25、32、40、50、63、80、100	61	76	12	Φ18	46	19	6.5	10	2		
RS88-2	690	10、20、25、32、40、50、63、80、100、125、160、200	77	98	20	Φ23	50	26	9	14	3		
RS88-3	690	10、20、25、32、40、50、63、80、100、125、160、200、250、315	77	108	25	Φ31	51	34	10.5	16	3		
RS88-4	690	50、63、80、100、125、160、180、200、250、315、350、400	80	108	26	Φ38	53	41	10.5	16	3		

Mounting Dimension



Photovoltaic Fuse GFPV15Fseries

Overview:

GFPV15Fseries of photovoltaic fuses are mainly used in photovoltaic system combiner boxes and inverters to block short circuit currents and low overload faults that occur in photovoltaic systems.

Product features:

This fuse is used in combination with a fuse core and a base, with a reasonable structural design and higher safety. When replacing the fuse core, accidents that come into contact with charged bodies are unlikely to occur. The product has a wide rated current range, DC voltage of 1500V, low power consumption, low temperature rise, and complies with UL and IEC photovoltaic standards.

Compliant with standards: IEC60269-6;GB/T13539.6

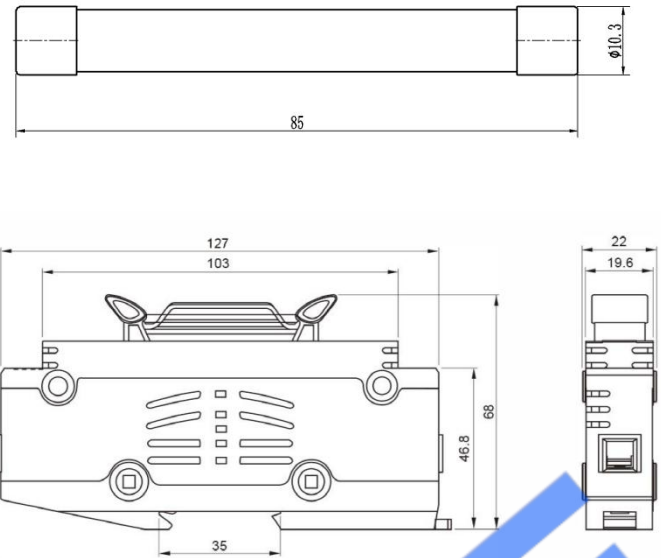
Fusible core technical parameters:

- Rated voltage: 1500V dc;
- Rated current: 1-32A;
- Rated breaking capacity: 20KA;

Technical parameters of the base:

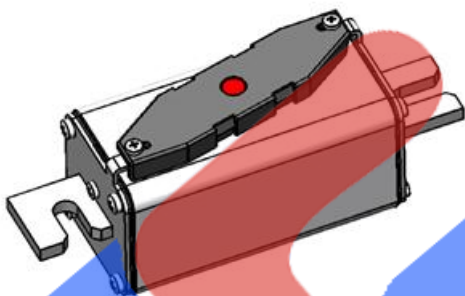
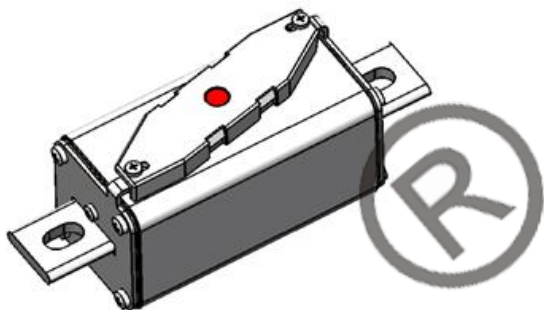
- Number of poles one;
- Rated voltage: 1500Vdc;
- Rated current 32 A;
- Rated isolation voltage: 1500V;
- Rated breaking capacity: 50KA;
- Rated impulse withstand voltage 12 kV;
- Used for fusible cores that allow for maximum dissipation of up to 8.5W of rated power;
- Temperature stability: 130 °C;

Dimensional drawing of fused core base



Selection Table 1500V DC 1-32A 10 × 85mm

model	rated voltage (V)	Rated current (A)	fuse value
GFPV15F-15/1	1500	1	10×85
GFPV15F-15/2	1500	2	
GFPV15F-15/3	1500	3	
GFPV15F-15/4	1500	4	
GFPV15F-15/5	1500	5	
GFPV15F-15/6	1500	6	
GFPV15F-15/7	1500	7	
GFPV15F-15/8	1500	8	
GFPV15F-15/10	1500	10	
GFPV15F-15/12	1500	12	
GFPV15F-15/15	1500	15	
GFPV15F-15/16	1500	16	
GFPV15F-15/20	1500	20	
GFPV15F-15/25	1500	25	
GFPV15F-15/30	1500	30	
GFPV15F-15/32	1500	32	
Adapted base model	GFPV15F-15		



Photovoltaic Fuse

PV1XL 1500V DC 63A-200A

This product is used for isolating photovoltaic cell modules, photovoltaic arrays, and inverters for protection. It has the characteristics of low power consumption, high breaking capacity, novel structure, and convenient installation.

标准/Standard: IEC60269-6, GB/T13539.6

分断能力/ Breaking Capacity: DC 50KA ;L/R=1~3ms

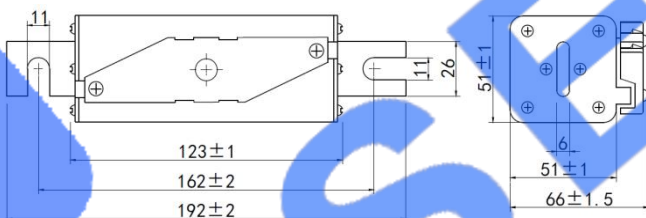
保护类别/ Protection Feature: gPV

安装方式/ Installation Method:

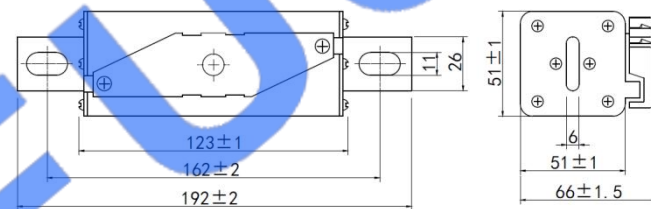
螺栓安装 Bolt Installation

外形及安装尺寸/Outline Dimension

1XL-Z1



1XL-Z2



型号解释/ Model description

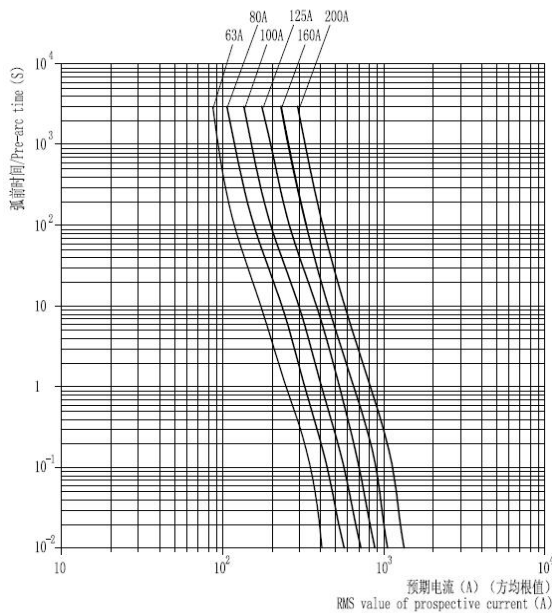
PV □ XL 15 □ Z □

- 结构外形 Structural shape
- 额定电流 (A) Rated Current
- 额定电压 1500V/ Rated Voltage
- 瓷管尺码 Size
- 保护对象 Protection object

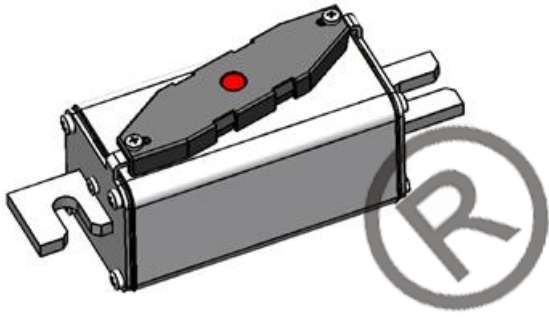
技术参数/Technical Parameters

型号 Type	额定电压 Rated Voltage(V)	额定电流 Rated Current (A)	尺寸图 Figure
PV1XL15063-Z1	1500	63	1XL-Z1
PV1XL15063-Z2	1500	63	1XL-Z2
PV1XL15080-Z1	1500	80	1XL-Z1
PV1XL15080-Z2	1500	80	1XL-Z2
PV1XL15100-Z1	1500	100	1XL-Z1
PV1XL15100-Z2	1500	100	1XL-Z2
PV1XL15125-Z1	1500	125	1XL-Z1
PV1XL15125-Z2	1500	125	1XL-Z2
PV1XL15160-Z1	1500	160	1XL-Z1
PV1XL15160-Z2	1500	160	1XL-Z2
PV1XL15200-Z1	1500	200	1XL-Z1
PV1XL15200-Z2	1500	200	1XL-Z2

特性曲线/Characteristic Curve



弧前时间-预期电流曲线
Pre-arc time-prospective current curve



Photovoltaic Fuse PV2XL 1500V DC 160A-400A

This product is used for isolating photovoltaic cell modules, photovoltaic arrays, and inverters for protection. It has the characteristics of low power consumption, high breaking capacity, novel structure, and convenient installation.

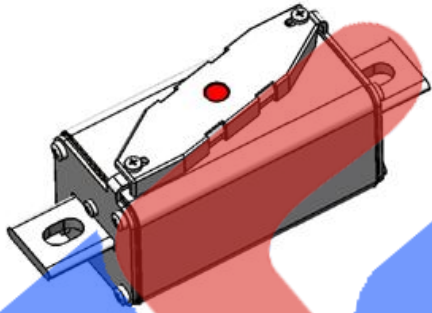
标准/Standard: IEC60269-6, GB/T13539.6

分断能力/ Breaking Capacity: DC 50KA ;L/R=1~3ms

保护类别/ Protection Feature: gPV

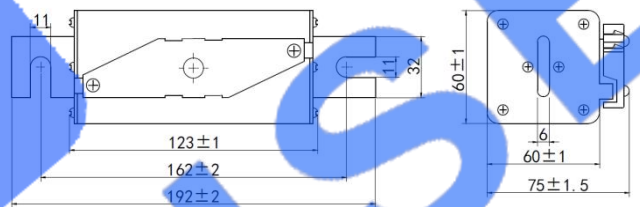
安装方式/ Installation Method:

螺栓安装 Bolt Installation

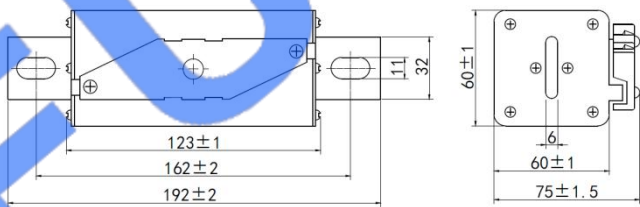


外形及安装尺寸/Outline Dimension

2XL-Z1



2XL-Z2



型号解释/ Model description

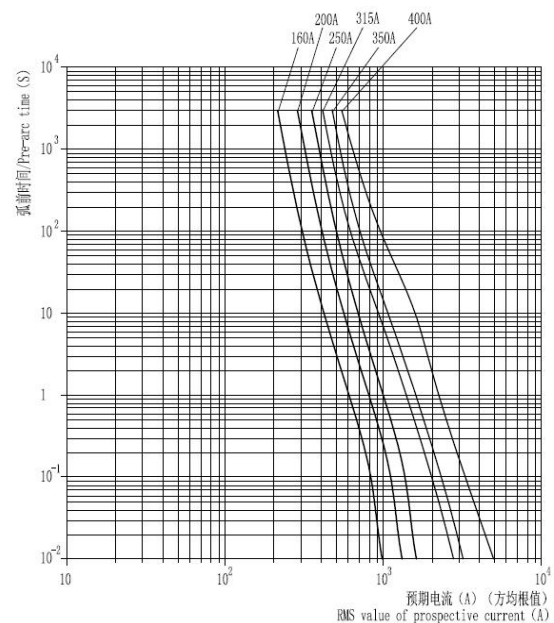
PV □XL 15 □ Z□

- 结构外形 Structural shape
- 额定电流 (A) Rated Current
- 额定电压 1500V/ Rated Voltage
- 瓷管尺码 Size
- 保护对象 Protection object

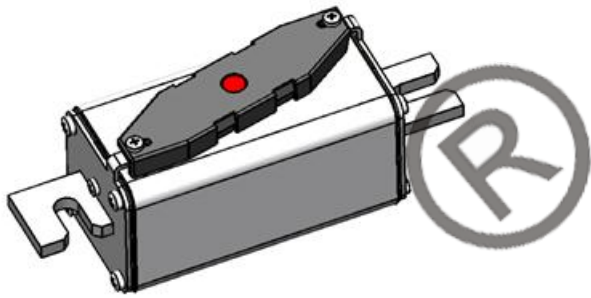
技术参数/Technical Parameters

型号 Type	额定电压 Rated Voltage (V)	额定电流 Rated Current (A)	尺寸图 Figure
PV2XL15160-Z1	1500	160	2XL-Z1
PV2XL15160-Z2	1500	160	2XL-Z2
PV2XL15200-Z1	1500	200	2XL-Z1
PV2XL15200-Z2	1500	200	2XL-Z2
PV2XL15250-Z1	1500	250	2XL-Z1
PV2XL15250-Z2	1500	250	2XL-Z2
PV2XL15315-Z1	1500	315	2XL-Z1
PV2XL15315-Z2	1500	315	2XL-Z2
PV2XL15350-Z1	1500	350	2XL-Z1
PV2XL15350-Z2	1500	350	2XL-Z2
PV2XL15400-Z1	1500	400	2XL-Z1
PV2XL15400-Z2	1500	400	2XL-Z2

特性曲线/Characteristic Curve



Pre-arc time-prospective current curve



Photovoltaic Fuse PV3XL 1500V DC 400A-630A

This product is used for isolating photovoltaic cell modules, photovoltaic arrays, and inverters for protection. It has the characteristics of low power consumption, high breaking capacity, novel structure, and convenient installation.

标准/Standard: IEC60269-6, GB/T13539.6

分断能力/ Breaking Capacity: DC 50KA ;L/R=1~3ms

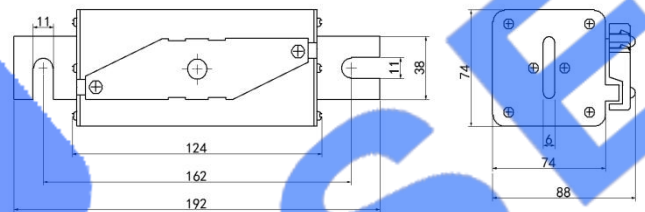
保护类别/ Protection Feature: gPV

安装方式/ Installation Method:

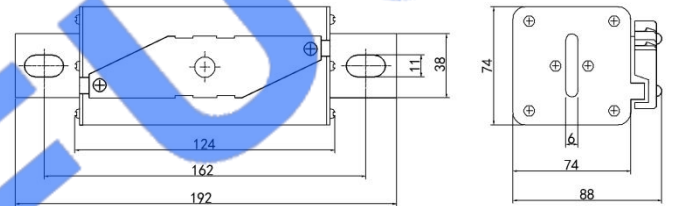
螺栓安装 Bolt Installation

外形及安装尺寸/Outline Dimension

3XL-Z1



3XL-Z2



型号解释/ Model description

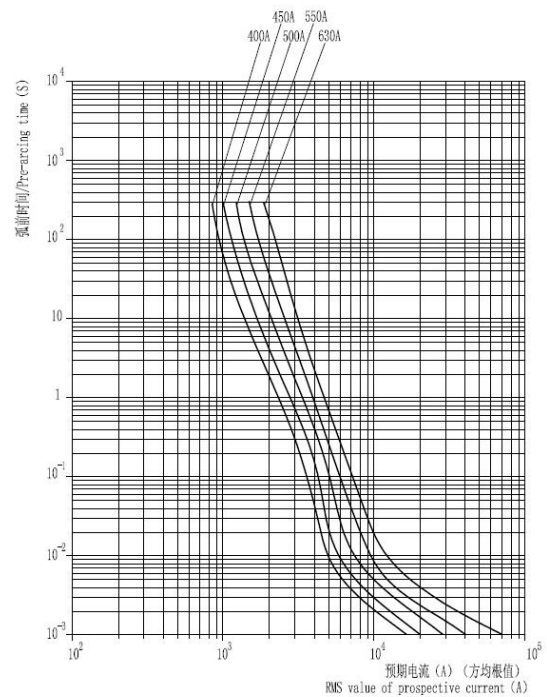
PV □XL 15 □ Z□

- 结构外形 Structural shape
- 额定电流 (A) Rated Current
- 额定电压 1500V/ Rated Voltage
- 瓷管尺码 Size
- 保护对象 Protection object

技术参数/Technical Parameters

型号 Type	额定电压 Rated Voltage (V)	额定电流 Rated Current (A)	尺寸图 Figure
PV3XL15400-Z1	1500	400	3XL-Z1
PV3XL15400-Z2	1500	400	3XL-Z2
PV3XL15450-Z1	1500	450	3XL-Z1
PV3XL15450-Z2	1500	450	3XL-Z2
PV3XL15500-Z1	1500	500	3XL-Z1
PV3XL15500-Z2	1500	500	3XL-Z2
PV3XL15550-Z1	1500	550	3XL-Z1
PV3XL15550-Z2	1500	550	3XL-Z2
PV3XL15630-Z1	1500	630	3XL-Z1
PV3XL15630-Z2	1500	630	3XL-Z2

特性曲线/Characteristic Curve



弧前时间-预期电流曲线
Pre-arc time-prospective current curve

Energy Storage Fuse

ESF5 1500V DC 630A-1800A

This product is used for the protection of energy storage battery systems and inverter system control devices. It has the characteristics of low power consumption, high breaking capacity, and easy installation.

标准/Standard: IEC60269-4, GB/T13539.4

额定电压/ Rated Voltage: 1500V DC

额定电流/ Rated Current: 630A-1800A

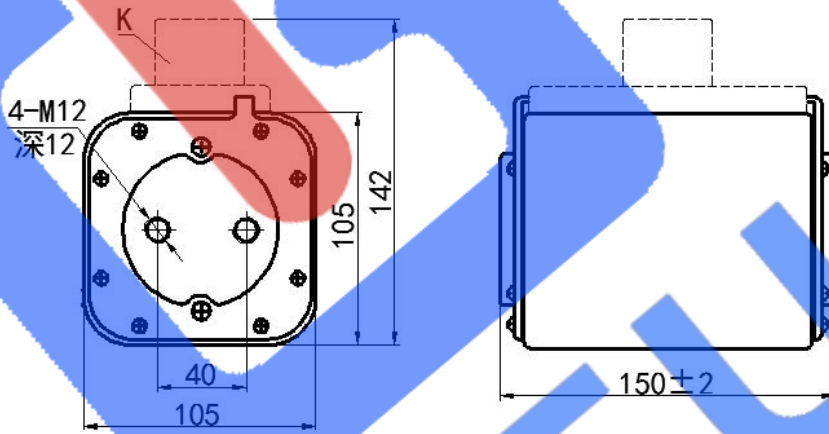
分断能力/ Breaking Capacity: 200KA

保护类别/ Protection Feature: aR

安装方式/ Installation Method:

螺栓安装 Bolt Installation

外形及安装尺寸/Outline Dimension

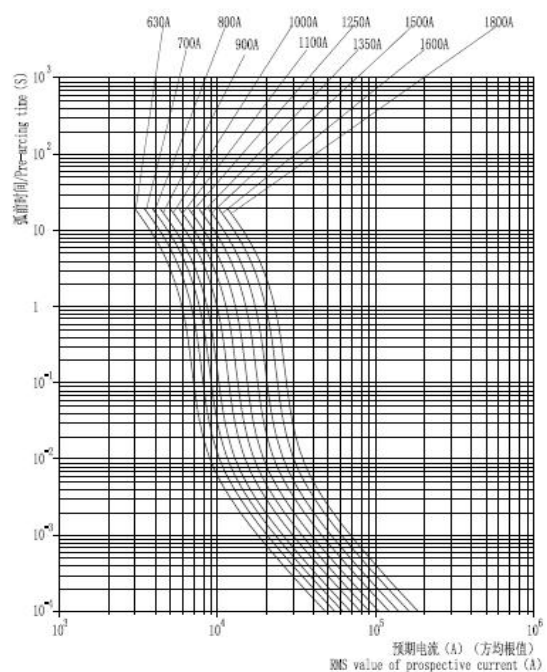


1.1

技术参数/Technical Parameters

特性曲线/Characteristic Curve

型号 Type	额定电压 Rated Voltage (V)	额定电流 Rated Current (A)	尺寸图 Figure
ESF5-630	1500	630	1.1
ESF5-700	1500	700	
ESF5-800	1500	800	
ESF5-900	1500	900	
ESF5-1000	1500	1000	
ESF5-1100	1500	1100	
ESF5-1250	1500	1250	
ESF5-1350	1500	1350	
ESF5-1500	1500	1500	
ESF5-1600	1500	1600	
ESF5-1800	1500	1800	



预弧时间-预期电流曲线
Pre-arc time-prospective current curve

Energy Storage Fuse

ESF6 1500V DC 1400A-3000A

This product is used for the protection of energy storage battery systems and inverter system control devices. It has the characteristics of low power consumption, high breaking capacity, and easy installation.

标准/Standard: IEC60269-4, GB/T13539.4

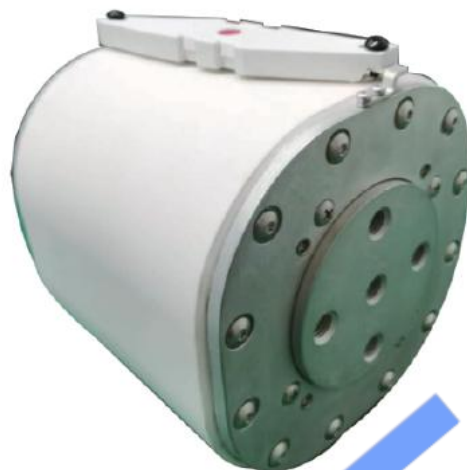
额定电压/ Rated Voltage:1500V DC

额定电流/ Rated Current:1250A-3000A

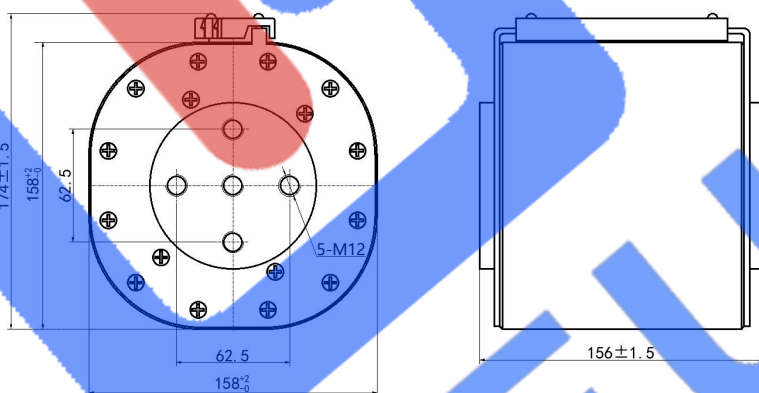
分断能力/ Breaking Capacity: 200KA

保护类别/ Protection Feature: aR

安装方式/ Installation Method:



外形及安装尺寸/Outline Dimension

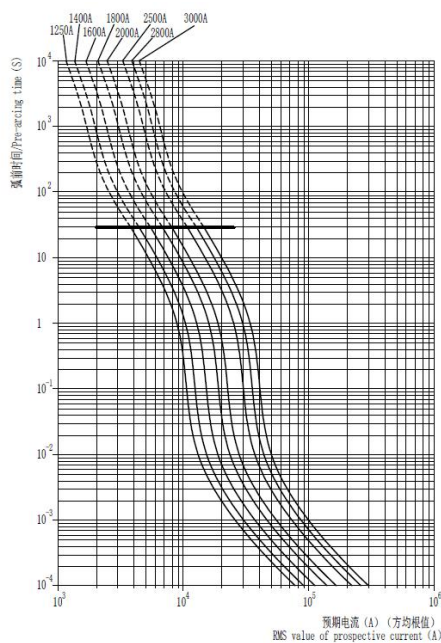


2.1

技术参数/Technical Parameters

型号 Type	额定电压 Rated Voltage (V)	额定电流 Rated Current (A)	尺寸图 Figure
ESF6-1250	1500	1250	2.1
ESF6-1400	1500	1400	
ESF6-1600	1500	1600	
ESF6-1800	1500	1800	
ESF6-2000	1500	2000	
ESF6-2500	1500	2500	
ESF6-2800	1500	2800	
ESF6-3000	1500	3000	

特性曲线/Characteristic Curve



弧前时间-预期电流曲线
Pre-arc time-prospective current curve

IGBT Fuse Links

This product is used to protect IGBT modules and is suitable for IGBT inverter circuits. It has the characteristics of low power consumption, high breaking capacity, and easy installation.

标准/Standard: IEC60269-4, GB/T13539.4

额定电压/ Rated Voltage: DC 800V; DC 1000V (IEC)

额定电流/ Rated Current: 25A-500A

分断能力/ Breaking Capacity: 50KA

保护类别/ Protection Feature: aR

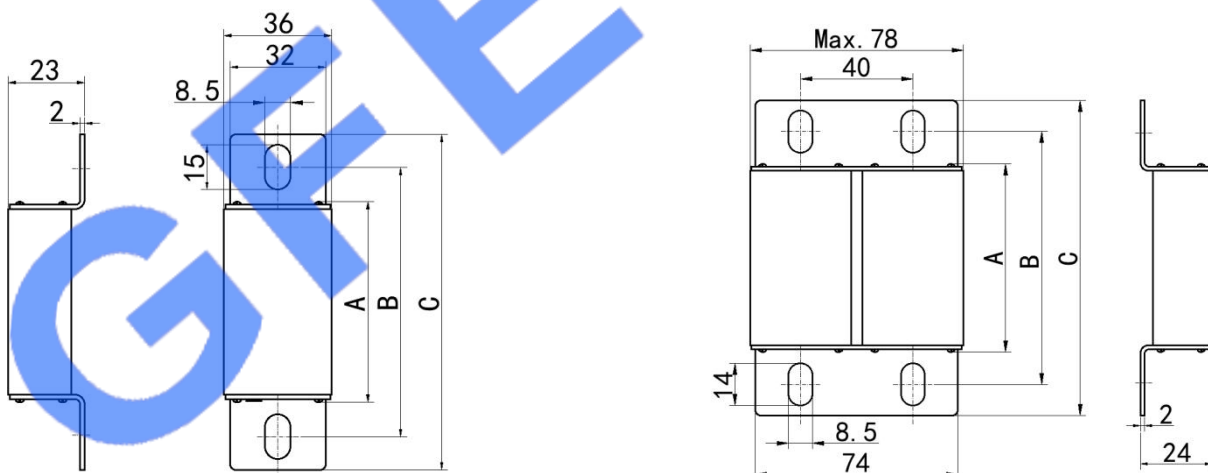
安装方式/ Installation Method:

螺栓安装 Bolt Installation

技术参数/Technical Parameters

型号 Type	额定电压 Rated Voltage (V)	额定电流 Rated Current (A)	尺寸 Dimension (mm)			外形图 Figure
			A	B	C	
000IGBT-800	DC 800	25、32、40、25、32、40、50、63、80、100、125、160、200、250、315、350	55	74	96	a
230IGBT-800	DC 800	100、125、160、200、250、315、350、400、450、500、630	55	74	96	b
000IGBT-1000	DC 1000	25、32、40、25、32、40、50、63、80、100、125、160、200、250	72	92	114	a
230IGBT-1000	DC 1000	100、125、160、200、250、315、350、400、450、500	72	92	114	b

外形及安装尺寸/Outline Dimension



a

b

GFEVSeries of new energy electric vehicles/charging station protection fuse

Performance meets: IEC60269; GB/T31465. 6

Rated Voltage: AC/DC500V; AC/DC700V; AC/DC1000V

Rated Curren: 10A-800A

Breaking Capacity: AC 100KA; DC50KA (time constant T<15ms)

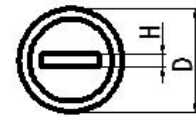
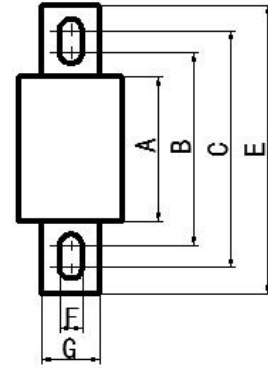
protection category: aR

Installation method: Bolted connections

Features: Small size, low power consumption, and high breaking cap

Suitable for: large, medium and small passenger cars, lithium battery packs

for buses, inverters, capacitors, and Short circuit protection of charging devic



Specification parameters

Type	Rated Voltage (V) AC/DC	Rated Curren (A)	Dimension (mm)								Figure
			A	B	C	ΦD	E	F	G	H	
GFEV5	500	10、20、30、40、50、63	40	55	65	Φ21	81	9	15	3	1
GFEV5	500	70、80、100	53	68	77	Φ25	92	9	18	3.2	
GFEV5	500	125、150、175、200	53	68	75	Φ31	92	9	22	5	
GFEV5	500	225、250、300、350、400	53	70	87	Φ38	109	10.5	25	6	
GFEV5	500	450、500、600	53	71	90	Φ51	110	10.5	38	6	
GFEV5	500	700、750、800	53	87	126	Φ63	161	13.5	50	10	
GFEV7	750	10、20、30、40、50、63	66	81	91	Φ21	107	9	15	3	1
GFEV7	750	70、80、100	66	81	90	Φ25	106	9	18	3.5	
GFEV7	750	125、150、200	72	89	106	Φ38	128	10.5	25	6	
GFEV7	750	225、250、300、350、400	72	90	109	Φ51	129	10.5	38	6	
GFEV7	750	450、500、600、800	72	106	145	Φ63	180	13.5	50	10	
GFEV10	1000	10、20、30、40、50、63	78	93	102	Φ25	118	9	18	3.5	1
GFEV10	1000	70、80、100	78	93	100	Φ31	118	9	22	5	
GFEV10	1000	125、150、175、200	82	99	116	Φ38	138	10.5	25	6	
GFEV10	1000	225、250、300、350、400	88	106	125	Φ51	145	10.5	38	6	
GFEV10	1000	450、500、600、800	88	122	161	Φ63	196	13.5	50	10	

NT/NH series knife shaped contact fuse

Performance meets: IEC60269; GB/T13539. 2

rated voltage: 500/690V

Rated current: 6A-630A

Breaking Capacity; 120KA/500V AC 50KA/690V AC

protection category: gG

Installation method: Pluggable

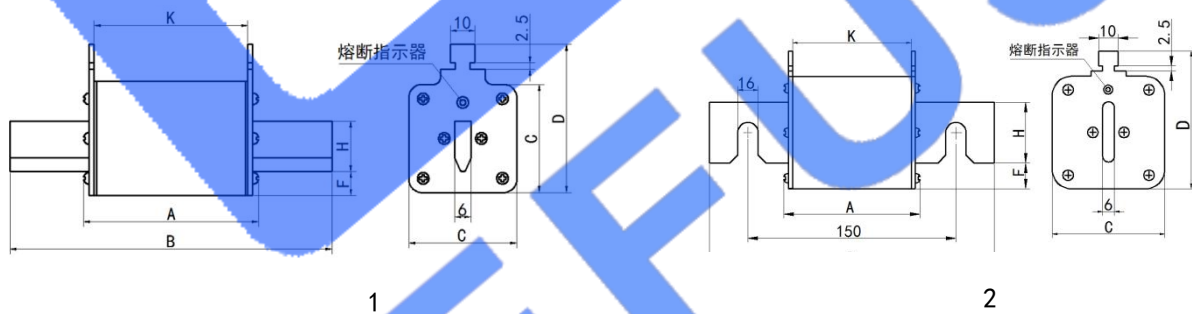
Features: Small size, light weight, low power consumption, high breaking capacity, safe and reliable.

Suitable for short-circuit and overload protection of power distribution systems, wires and cables, motors, factory and mining lines, switchgear, and electrical equipment.

Specification parameters of fuses

Type	rated voltage (V)	Rated current (A)	size (mm)							Figure
			A	B	C	D	F	H	K	
NT00/NH00	500/690	6、10、16、20、25、32、40、50、63、80、100、125、160	53	78.5	29	57	12	15	45	1
NT1/NH1	500/690	80、100、125、150、160、200、250	70	135	48	62	12	20	61	
NT2/NH2	500/690	125、160、200、250、300、350、400	71	150	58	72	13	25	61	
NT3/NH3	500/690	350、400、450、500、560、630	71	150	67	82	14	32	61	
NT4/NH4	500/690	800、1000、1250	84	200	98	115	20	50	74	

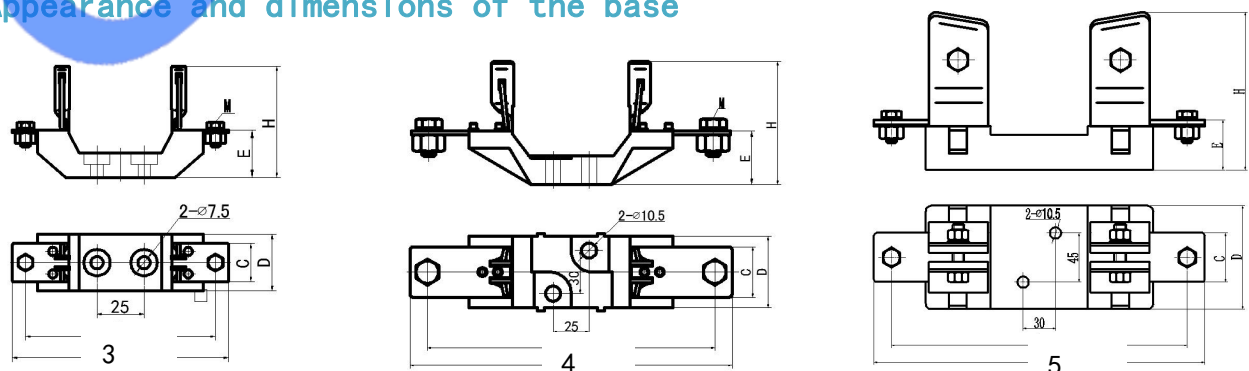
Appearance and installation dimensions of fuses



Base selection specification parameters

Base model	Equipped with fuses Model	size (mm)							Figure
		A	B	C	D	E	H	M	
Sist101	NGTC00/NT00/NH00	97	115	20	30	26	58	M8×16	3
Sist201	NGTC1/NT1/NH1	175	203	35	50	37	82	M10×20	4
Sist401	NGTC2/NT2/NH2	200	224	35	50	37	85	M10×25	
Sist601	NGTC3/NT3/NH3	210	236	35	50	38	96	M12×30	
Sist1001	NT4/NH4	260	305	45	95	48	148	M12×30	5

Appearance and dimensions of the base



Fusing indicator (referring to melting)

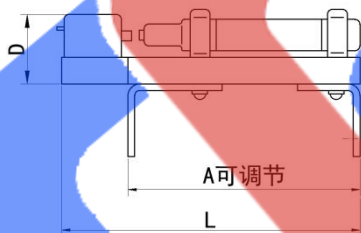
Fusing indicator, suitable for AC 50Hz, rated voltage 1000V and below in circuits, used in fuse NGT, NGTC, NT and other series products.

Finger fuse is an external fuse indicator that is directly connected in parallel to a fuse. When the fuse blows, the finger fuse simultaneously acts to push the microswitch, close the contacts, and emit an electrical signal.

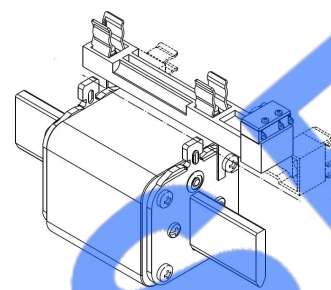
The fuse indicator mainly consists of a microswitch, a fuse core, a bracket, a copper clip, and a connecting plate. The external dimensions are shown in Figure a.

Using installation

During installation, adjust the connecting plate on the finger fuse bracket to the same height as the cover plates at both ends of the fuse. Loosen the upper and lower screws at one corner of the fuse cover plate, insert the connecting plate on the finger fuse bracket, and tighten the screws. The installation wiring diagram is shown in Figure b.



Type	A (mm)	L (mm)	D (mm)
RX1/RX2-1000	41-88	114	23
RSZ1-1000	30-72	90	26



A Outline dimension diagram of fuse

b Installation and wiring diagram of fuse indicator

Auxiliary switches for fuses

GF-1 and GF-2 microswitches are a type of switch that comes with a base fuse

Signal switch used, switch GF-1 equipped with one normally open and one normally closed contact, GF-2

Equipped with two normally open and two normally closed contacts, users can choose according to their needs.

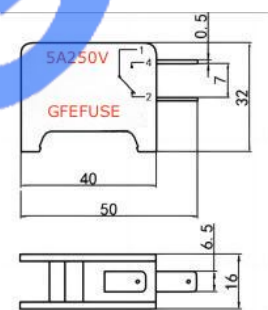
Electrical parameters:

Rated voltage: 250V AC;

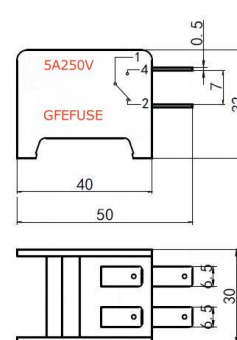
Rated current: 5A

Instructions for use:

1. When using, align the bottom corner of the switch with the base installation slot and snap it in.
2. Connect the signal line and wiring terminals reliably according to the switch contact wiring diagram.



GF-1 Outlinedimension diagram



GF-2 Outlinedimension diagram